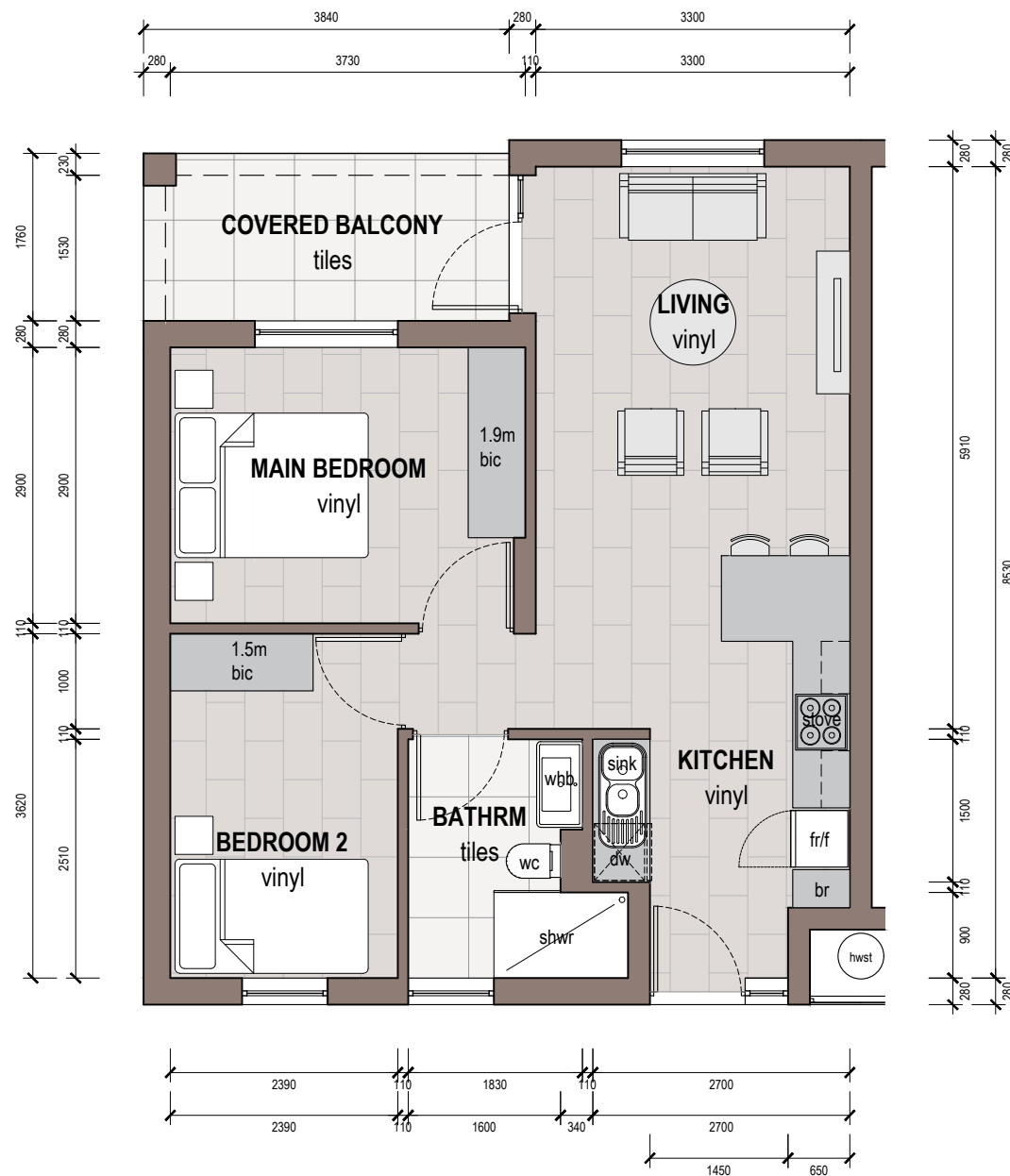




The Plettenberg Manor
Executive Retirement Resort

GROUND FLOOR

2 Bedroom, 1 Bathroom



FLOOR PLAN
scale 1 : 75

REFER TO SITE PLAN FOR ACCURATE ORIENTATION OF DWELLING.
FURNITURE AND FITTINGS FOR ILLUSTRATION PURPOSES ONLY AND ARE NOT PART OF THE CONTRACT.
ALL BIC DIMENSIONS MAY VARY DUE TO PLASTER THICKNESS.
THIS PLAN, INCLUDING PAVING, LANDSCAPING AND THE LIKE IS INDICATIVE BEING FOR MARKETING PURPOSES ONLY AND ARE SUBJECT TO FINAL AMENDMENTS.



| AREA SCHEDULE | | UNIT TYPE | REVISION & DATE |
|-----------------|---------------------------|--------------|-------------------|
| APARTMENT | 59.77m ² | GROUND FLOOR | A |
| COVERED BALCONY | 6.76m ² | | |
| TOTAL | 66.53m² | | 13.10.2020 |



ARCHITECH

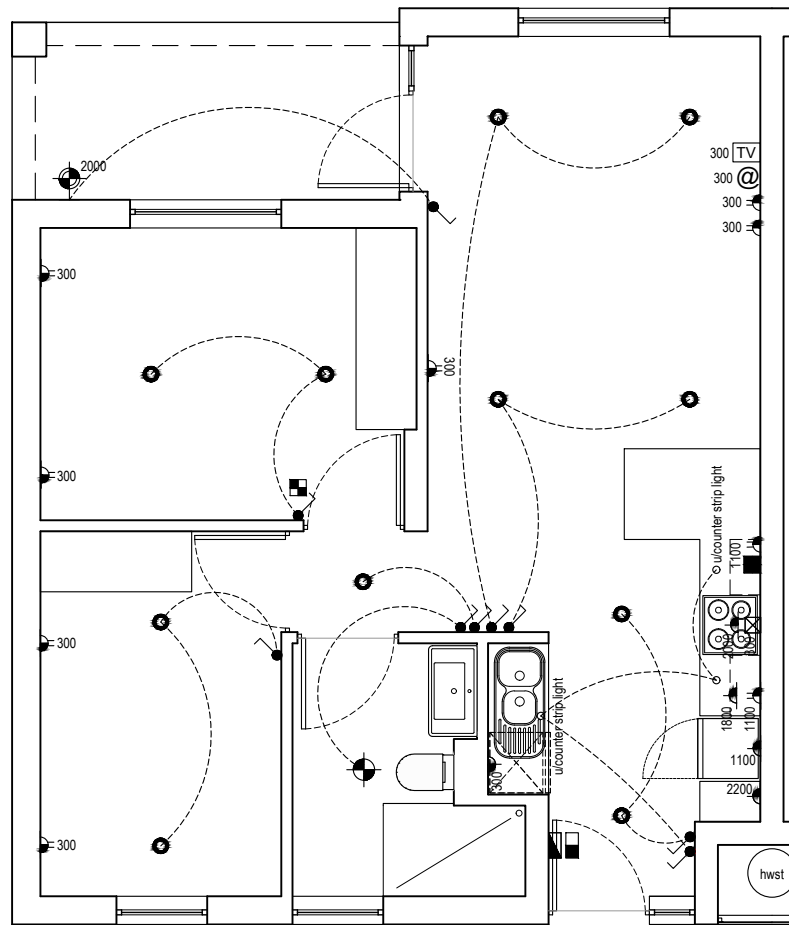
Unit 1b Brick Lane Rd, Devonbosch, Bottelary Rd
Koelenhof, Stellenbosch, 7605
021 823 7676 | 083 788 0449 | info@architech.co.za



The Plettenberg Manor
Executive Retirement Resort

GROUND FLOOR

2 Bedroom, 1 Bathroom



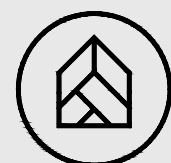
ELECTRICAL FLOOR PLAN

scale 1 : 75

| ELECTRICAL LEGEND | |
|-------------------|---|
| height | SPECIFIED HEIGHT IN MILLIMETERS ABOVE FFL - INDICATED NEXT TO SYMBOLS ON DRAWING WHERE APPLICABLE |
| | LIGHT SWITCH @ 1200mm ABOVE FFL |
| | 2-WAY LIGHT SWITCH @ 1200mm ABOVE FFL |
| | SINGLE 15amp POWER OUTLET @ SPECIFIED HEIGHT |
| | DOUBLE 15amp POWER OUTLET @ SPECIFIED HEIGHT |
| @ | INTERNET CONNECTION @ SPECIFIED HEIGHT |
| | WATERPROOF WALL MOUNTED INCANDESCENT LUMINAIRE @ SPECIFIED HEIGHT |
| | TV AERIAL OUTLET POINT @ SPECIFIED HEIGHT |
| | DISTRIBUTION BOARD |
| | PREPAID METER |
| | STOVE ISOLATOR |
| | STOVE CONNECTOR |
| | DOWN LIGHT |
| | ALARM KEYPAD |

| LEGEND | |
|--------|------------------------|
| sink | SINK |
| br | BROOM CUPBOARD |
| fr/f | FRIDGE/FREEZER |
| st | STOVE |
| dw | DISH WASHER |
| bic | BUILT IN CUPBOARD |
| | SHOWER ROSE |
| hwst | HOT WATER STORAGE TANK |

| AREA SCHEDULE | UNIT TYPE | REVISION & DATE |
|-------------------|--------------|-----------------|
| ELECTRICAL LAYOUT | GROUND FLOOR | A |
| | | 13.10.2020 |

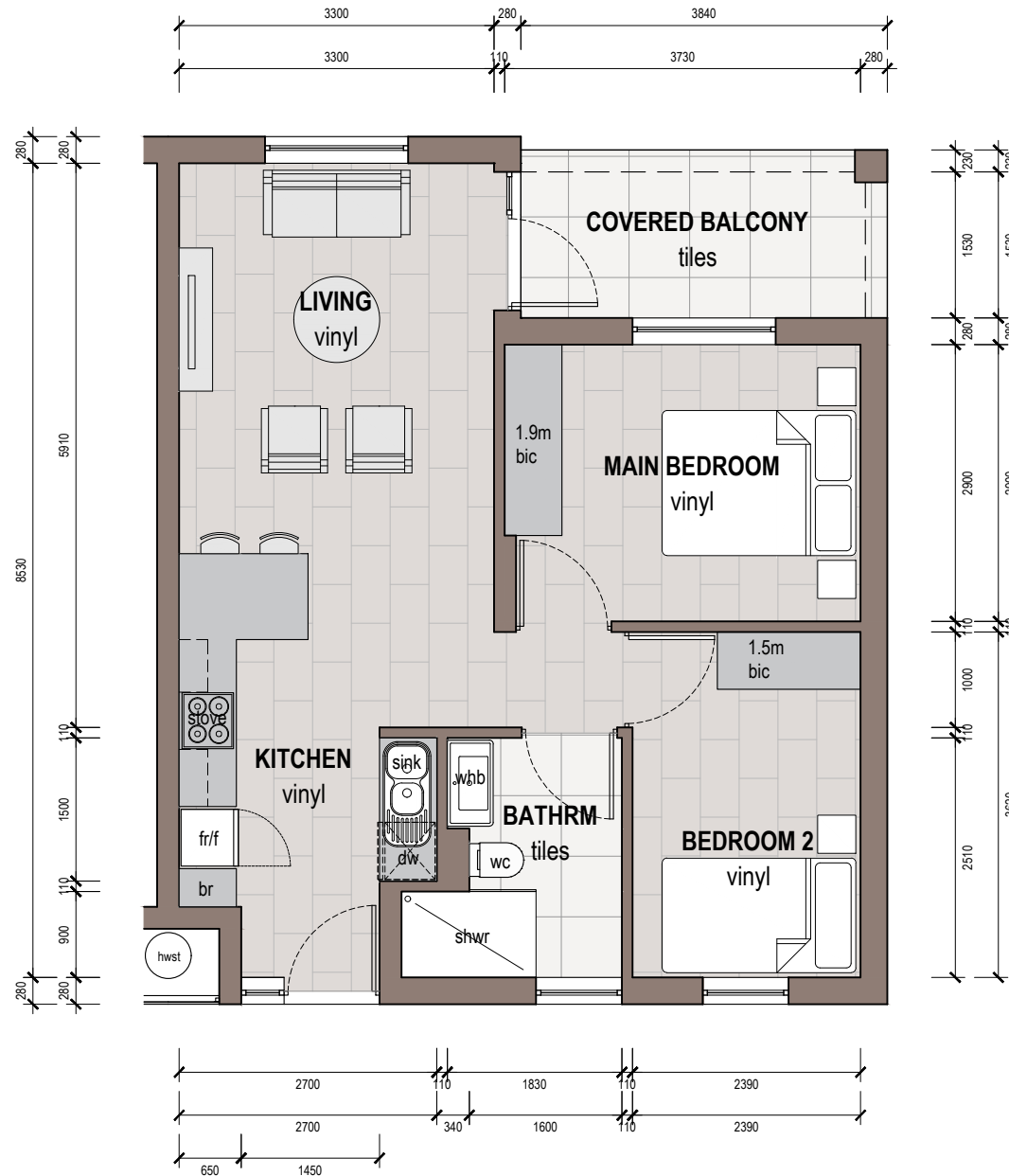




The Plettenberg Manor
Executive Retirement Resort

GROUND FLOOR (mirror)

2 Bedroom, 1 Bathroom



FLOOR PLAN
scale 1 : 75

REFER TO SITE PLAN FOR ACCURATE ORIENTATION OF DWELLING.
FURNITURE AND FITTINGS FOR ILLUSTRATION PURPOSES ONLY AND ARE NOT PART OF THE CONTRACT.
ALL BIC DIMENSIONS MAY VARY DUE TO PLASTER THICKNESS.
THIS PLAN, INCLUDING PAVING, LANDSCAPING AND THE LIKE IS INDICATIVE BEING FOR MARKETING PURPOSES ONLY AND ARE SUBJECT TO FINAL AMENDMENTS.



| AREA SCHEDULE | | UNIT TYPE | REVISION & DATE |
|-----------------|---------------------------|-----------------------|-------------------|
| APARTMENT | 59.77m ² | GROUND FLOOR (mirror) | A |
| COVERED BALCONY | 6.76m ² | | |
| TOTAL | 66.53m² | | 13.10.2020 |



ARCHITECH

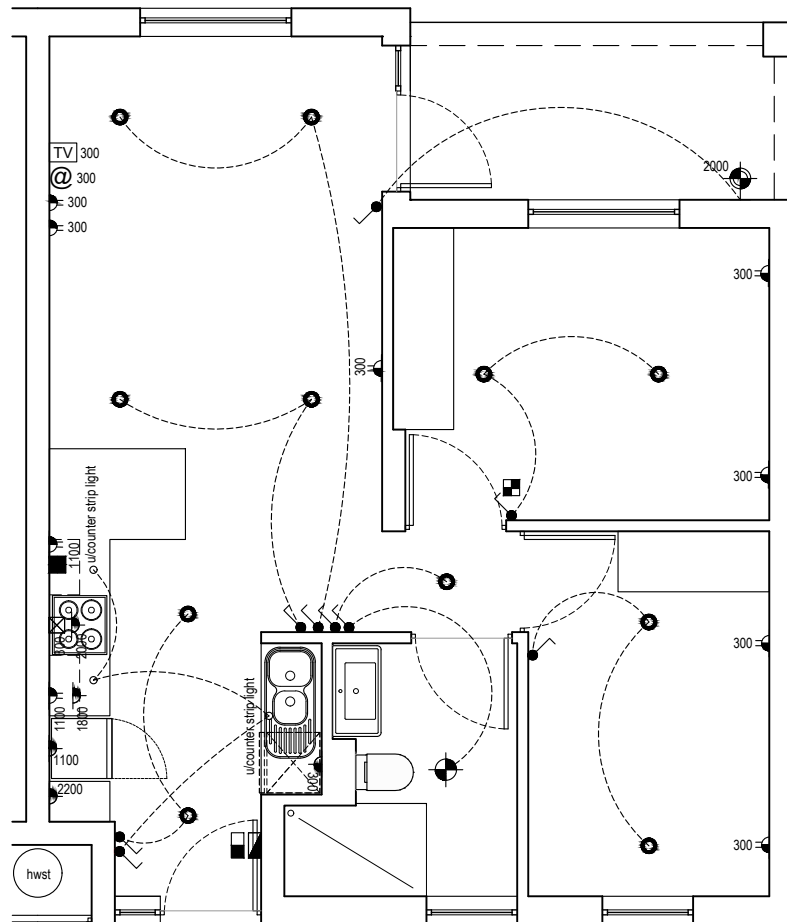
Unit 1b Brick Lane Rd, Devonbosch, Bottelary Rd
Koelenhof, Stellenbosch, 7605
021 823 7676 | 083 788 0449 | info@architech.co.za



The Plettenberg Manor
Executive Retirement Resort

FIRST FLOOR

2 Bedroom, 1 Bathroom

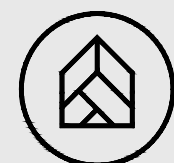


ELECTRICAL FLOOR PLAN

scale 1 : 75

| ELECTRICAL LEGEND | | LEGEND | |
|-------------------|---|--------|------------------------|
| height | SPECIFIED HEIGHT IN MILLIMETERS ABOVE FFL - INDICATED NEXT TO SYMBOLS ON DRAWING WHERE APPLICABLE | sink | SINK |
| | LIGHT SWITCH @ 1200mm ABOVE FFL | br | BROOM CUPBOARD |
| | 2-WAY LIGHT SWITCH @ 1200mm ABOVE FFL | fr/f | FRIDGE/FREEZER |
| | SINGLE 15amp POWER OUTLET @ SPECIFIED HEIGHT | st | STOVE |
| | DOUBLE 15amp POWER OUTLET @ SPECIFIED HEIGHT | dw | DISH WASHER |
| @ | INTERNET CONNECTION @ SPECIFIED HEIGHT | bic | BUILT IN CUPBOARD |
| | WATERPROOF WALL MOUNTED INCANDESCENT LUMINAIRE @ SPECIFIED HEIGHT | | SHOWER ROSE |
| TV | TV AERIAL OUTLET POINT @ SPECIFIED HEIGHT | hwst | HOT WATER STORAGE TANK |
| | DISTRIBUTION BOARD | | STOVE CONNECTOR |
| | PREPAID METER | | DOWN LIGHT |
| | STOVE ISOLATOR | | ALARM KEYPAD |

| AREA SCHEDULE | UNIT TYPE | REVISION & DATE |
|-------------------|----------------------|-----------------|
| ELECTRICAL LAYOUT | FIRST FLOOR (mirror) | A |
| | | 13.10.2020 |

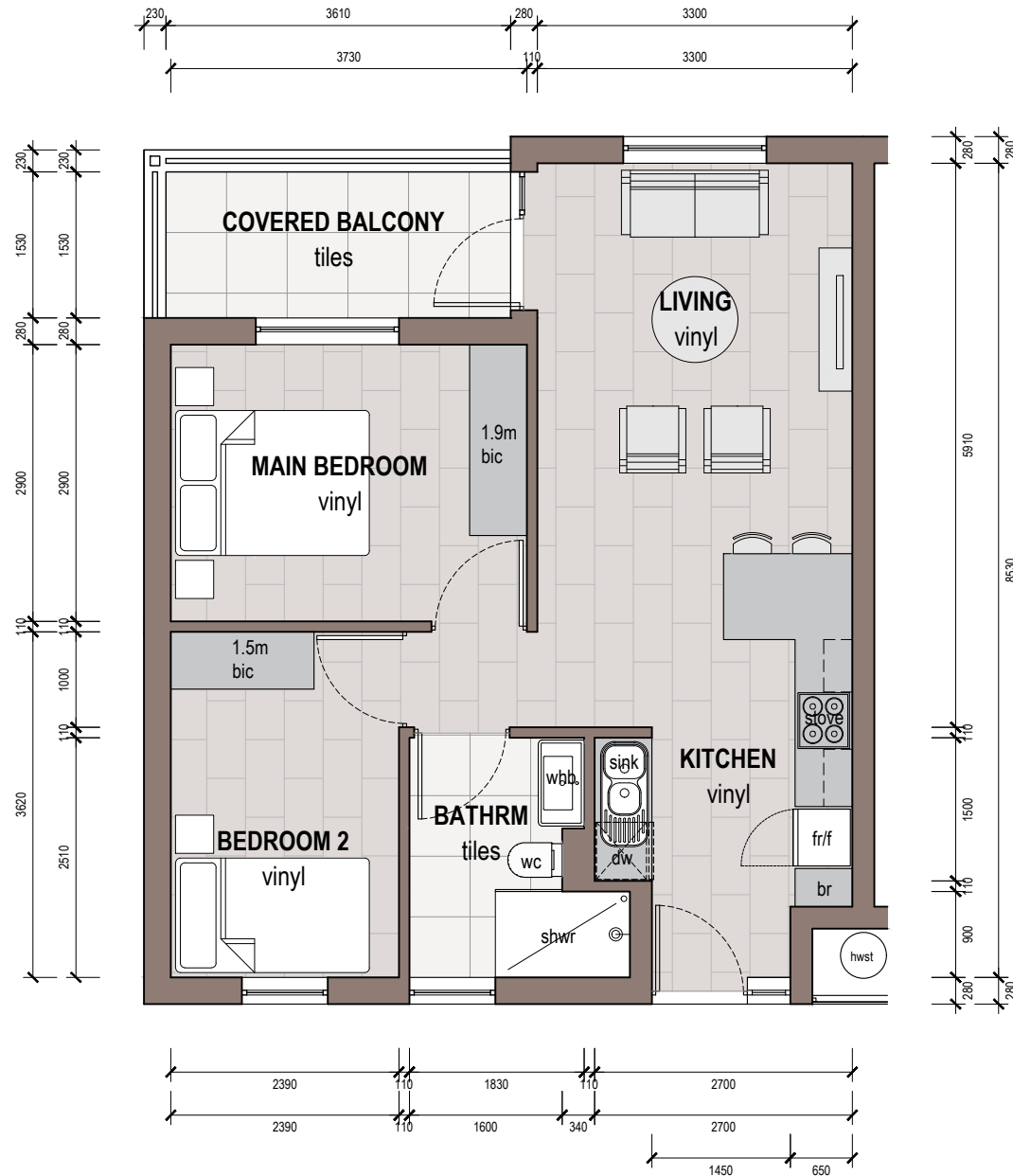




The Plettenberg Manor
Executive Retirement Resort

FIRST FLOOR

2 Bedroom, 1 Bathroom



FLOOR PLAN
scale 1 : 75

REFER TO SITE PLAN FOR ACCURATE ORIENTATION OF DWELLING.
FURNITURE AND FITTINGS FOR ILLUSTRATION PURPOSES ONLY AND ARE NOT PART OF THE CONTRACT.
ALL BIC DIMENSIONS MAY VARY DUE TO PLASTER THICKNESS.
THIS PLAN, INCLUDING PAVING, LANDSCAPING AND THE LIKE IS INDICATIVE BEING FOR MARKETING PURPOSES ONLY AND ARE SUBJECT TO FINAL AMENDMENTS.



| AREA SCHEDULE | | UNIT TYPE | REVISION & DATE |
|-----------------|---------------------------|-------------|-----------------|
| APARTMENT | 59.77m ² | FIRST FLOOR | A |
| COVERED BALCONY | 6.76m ² | | |
| TOTAL | 66.53m² | | 13.10.2020 |



ARCHITECH

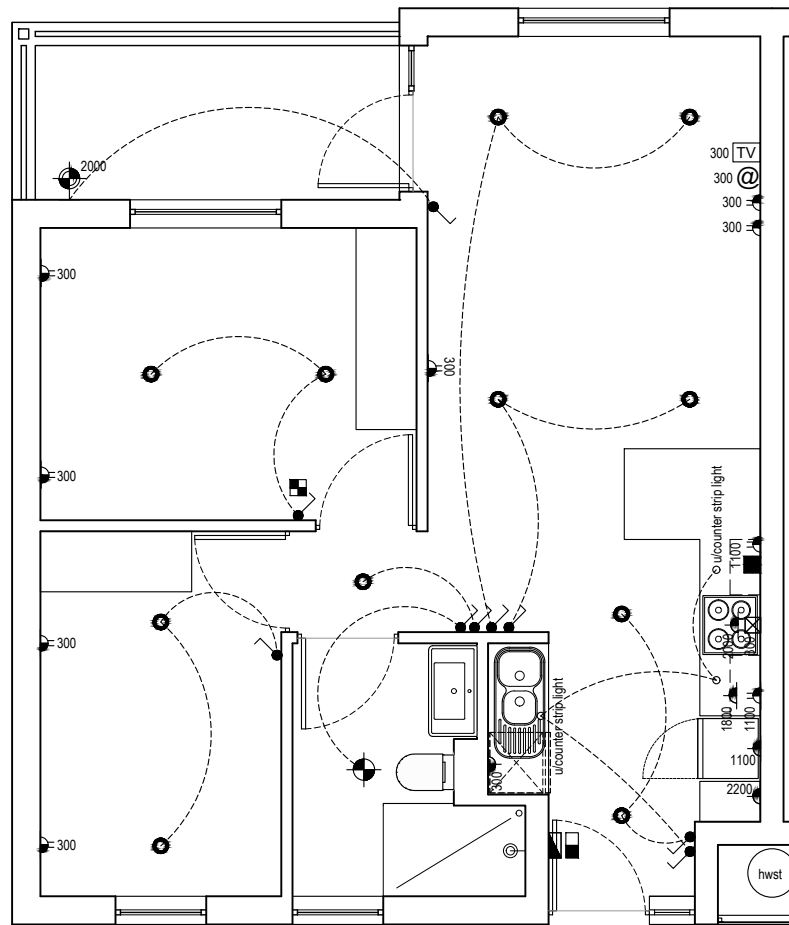
Unit 1b Brick Lane Rd, Devonbosch, Bottelary Rd
Koelenhof, Stellenbosch, 7605
021 823 7676 | 083 788 0449 | info@architech.co.za



The Plettenberg Manor
Executive Retirement Resort

FIRST FLOOR

2 Bedroom, 1 Bathroom



ELECTRICAL FLOOR PLAN

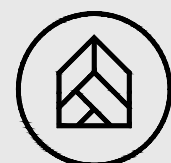
scale 1 : 75

| ELECTRICAL LEGEND | |
|-------------------|---|
| height | SPECIFIED HEIGHT IN MILLIMETERS ABOVE FFL - INDICATED NEXT TO SYMBOLS ON DRAWING WHERE APPLICABLE |
| | LIGHT SWITCH @ 1200mm ABOVE FFL |
| | 2-WAY LIGHT SWITCH @ 1200mm ABOVE FFL |
| | SINGLE 15amp POWER OUTLET @ SPECIFIED HEIGHT |
| | DOUBLE 15amp POWER OUTLET @ SPECIFIED HEIGHT |
| @ | INTERNET CONNECTION @ SPECIFIED HEIGHT |
| | WATERPROOF WALL MOUNTED INCANDESCENT LUMINAIRE @ SPECIFIED HEIGHT |
| | TV AERIAL OUTLET POINT @ SPECIFIED HEIGHT |
| | DISTRIBUTION BOARD |
| | PREPAID METER |
| | STOVE ISOLATOR |
| | STOVE CONNECTOR |
| | DOWN LIGHT |
| | ALARM KEYPAD |

| LEGEND | |
|--------|------------------------|
| sink | SINK |
| br | BROOM CUPBOARD |
| fr/f | FRIDGE/FREEZER |
| st | STOVE |
| dw | DISH WASHER |
| bic | BUILT IN CUPBOARD |
| | SHOWER ROSE |
| hwst | HOT WATER STORAGE TANK |



| AREA SCHEDULE | UNIT TYPE | REVISION & DATE |
|-------------------|-------------|-----------------|
| ELECTRICAL LAYOUT | FIRST FLOOR | A |
| | | 13.10.2020 |



ARCHITECH

Unit 1b Brick Lane Rd, Devonbosch, Bottelary Rd
Koelenhof, Stellenbosch, 7605
021 823 7676 | 083 788 0449 | info@architech.co.za

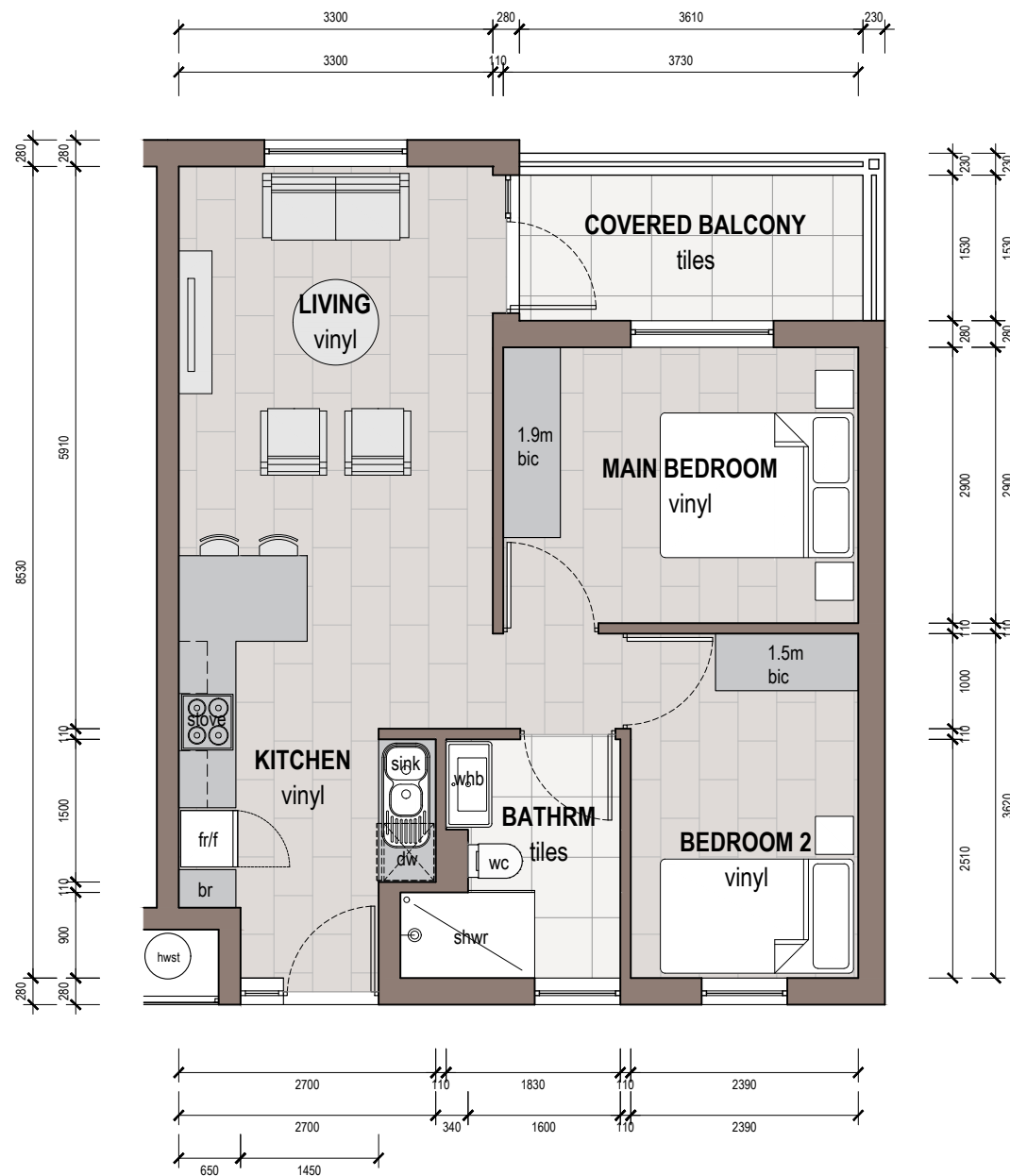


The Plettenberg Manor

Executive Retirement Resort

FIRST FLOOR (mirror)

2 Bedroom, 1 Bathroom



FLOOR PLAN
scale 1 : 75

REFER TO SITE PLAN FOR ACCURATE ORIENTATION OF DWELLING.
FURNITURE AND FITTINGS FOR ILLUSTRATION PURPOSES ONLY AND ARE NOT PART OF THE CONTRACT.
ALL BIC DIMENSIONS MAY VARY DUE TO PLASTER THICKNESS.
THIS PLAN, INCLUDING PAVING, LANDSCAPING AND THE LIKE IS INDICATIVE BEING FOR MARKETING PURPOSES ONLY AND ARE SUBJECT TO FINAL AMENDMENTS.



| AREA SCHEDULE | | UNIT TYPE | REVISION & DATE |
|-----------------|---------------------------|----------------------|-----------------|
| APARTMENT | 59.77m ² | FIRST FLOOR (mirror) | A |
| COVERED BALCONY | 6.76m ² | | |
| TOTAL | 66.53m² | | 13.10.2020 |



ARCHITECH

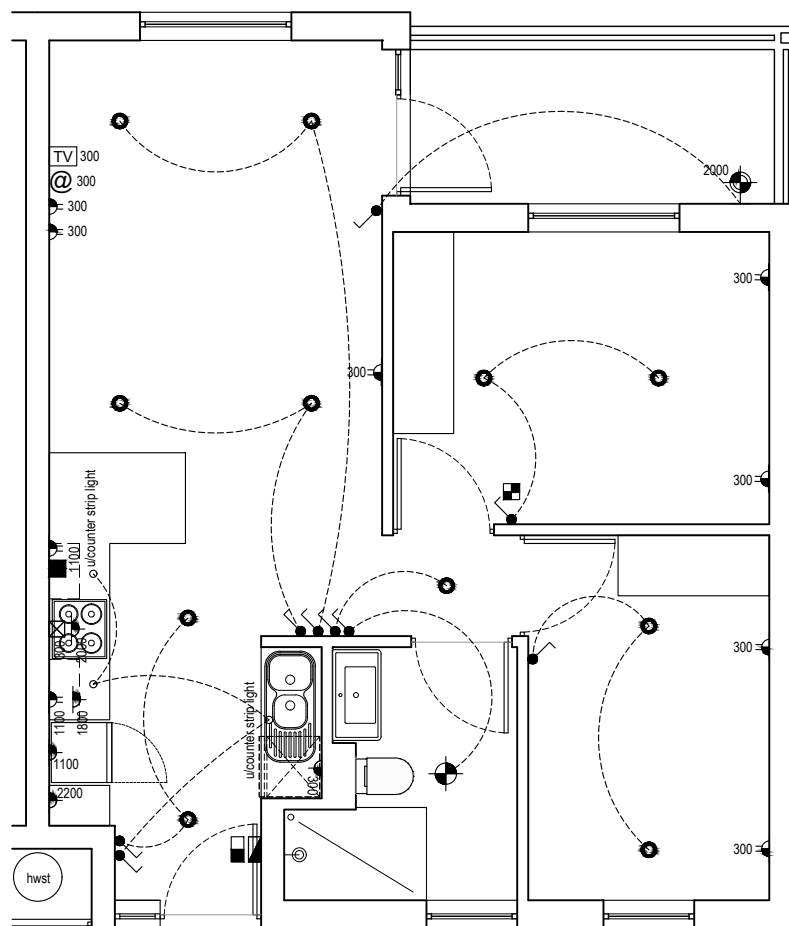
Unit 1b Brick Lane Rd, Devonbosch, Bottelary Rd
Koelenhof, Stellenbosch, 7605
021 823 7676 | 083 788 0449 | info@architech.co.za



The Plettenberg Manor
Executive Retirement Resort

FIRST FLOOR (mirror)

2 Bedroom, 1 Bathroom



ELECTRICAL FLOOR PLAN

scale 1 : 75

| ELECTRICAL LEGEND | | LEGEND | |
|-------------------|---|--------|------------------------|
| height | SPECIFIED HEIGHT IN MILLIMETERS ABOVE FFL - INDICATED NEXT TO SYMBOLS ON DRAWING WHERE APPLICABLE | sink | SINK |
| | LIGHT SWITCH @ 1200mm ABOVE FFL | br | BROOM CUPBOARD |
| | 2-WAY LIGHT SWITCH @ 1200mm ABOVE FFL | fr/f | FRIDGE/FREEZER |
| | SINGLE 15amp POWER OUTLET @ SPECIFIED HEIGHT | st | STOVE |
| | DOUBLE 15amp POWER OUTLET @ SPECIFIED HEIGHT | dw | DISH WASHER |
| @ | INTERNET CONNECTION @ SPECIFIED HEIGHT | bic | BUILT IN CUPBOARD |
| | WATERPROOF WALL MOUNTED INCANDESCENT LUMINAIRE @ SPECIFIED HEIGHT | | SHOWER ROSE |
| TV | TV AERIAL OUTLET POINT @ SPECIFIED HEIGHT | hwst | HOT WATER STORAGE TANK |
| | DISTRIBUTION BOARD | | STOVE CONNECTOR |
| | PREPAID METER | | DOWN LIGHT |
| | STOVE ISOLATOR | | ALARM KEYPAD |